

ECLISSE

Outdoor Coffee Table



Product code OU.CT.ECL.70/80/100

Designer Studio Boccaccio432 Year 2023



ECLISSE

Outdoor Coffee Table

Description

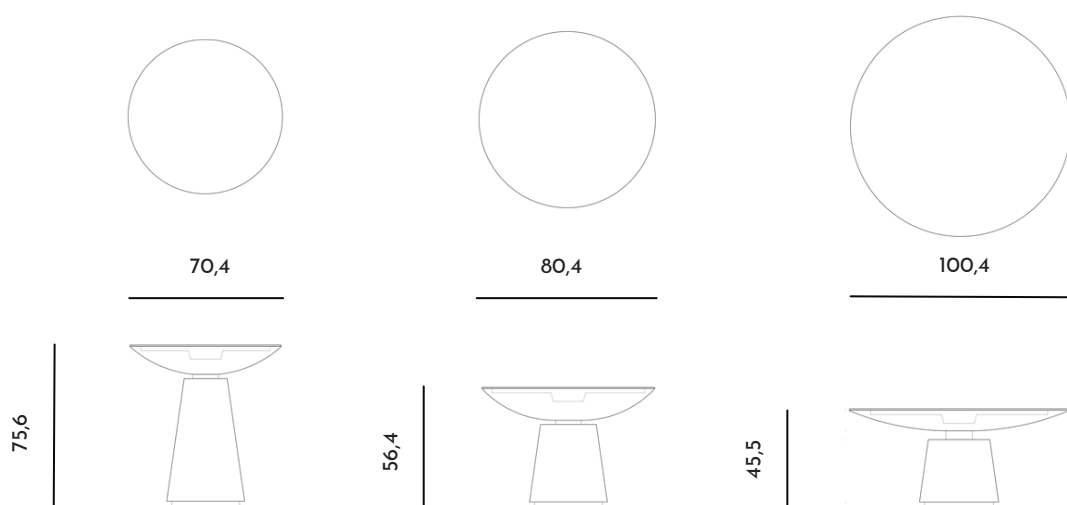
Eclisse are decorative coffee tables for Indoor & Outdoor use.

For the Outdoor the top is made in ceramic, available in two stone effect finishes: Beige Travertino Classic or Gris du Gent.

The legs are in resin, coated with a concrete effect lacquering, available in 3 colours.

Eclisse tables are available in 3 sizes.

For the indoor version Eclisse features a veneer top and a base lacquered.



Finishes:

OUTDOOR



Beige Travertino Classic
or Gris du Gent



Concrete effect lacquering
3 colours available

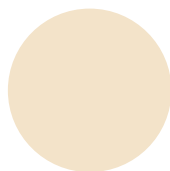


Metal
4 finishes Available

INDOOR



Ebony Makassar
or Canaletto Veneer



Lacquers
18 Colours Available



Metal
4 finishes Available