

Ibiza lounge chair

by Eugeni Quitlet

Vondom's Ibiza collection, designed by Eugeni Quitlet, captures the essence of life by the sea and the ephemeral beauty of a season transformed into timeless pieces. Inspired by the sea breeze and the Mediterranean sun, Ibiza is an ode to sustainable design and the emotional mood that defines this iconic island.



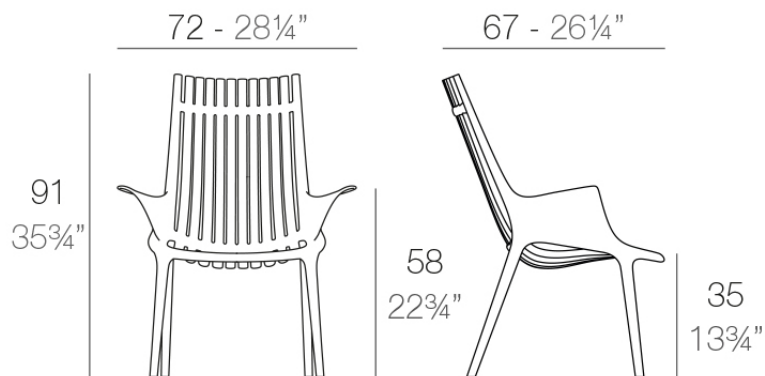
Info

Description

Made from polypropylene and reinforced with fiberglass manufactured by gas injection. Stackable . Available in various colors. Suitable for indoor and outdoor use.

In addition, the “Vondom Revolution” finish means it is made from 100% recycled plastic from the Mediterranean sea.

Weight: 8.51 Kg



IBIZA Sillón
IBIZA Lounge Chair

Accessories

- **Fabric**

Fabric

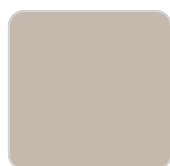
Finishes

finishes

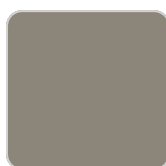
BASIC PP
Ref. 65039



white



ecru



tortora



black



jade

Available in various colors

Ambients

