

## Tulum coffee table

by Eugeni Quitllet

Tulum, designed by Eugeni Quitllet, is a collection of designer furniture to live freely anywhere in the world.



## Info

---

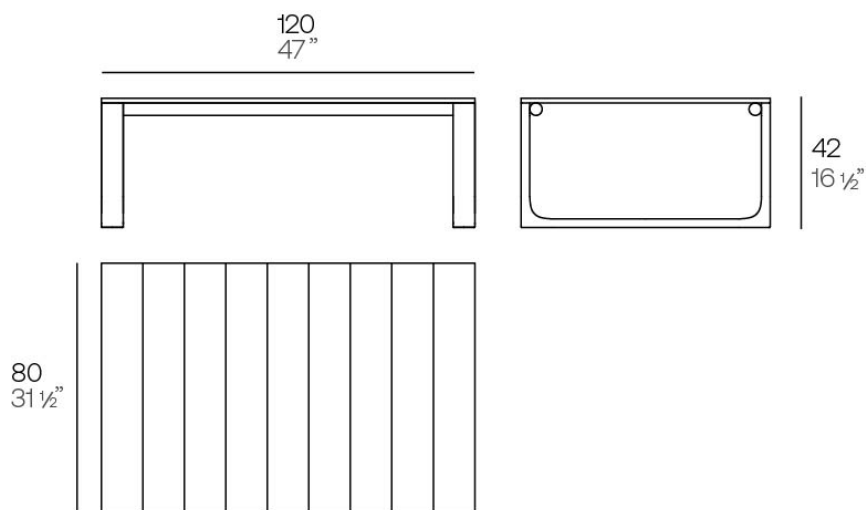
### Description

The coffee table in the collection is characterised by its aluminium structure treated with epoxy paint and precise welding, guaranteeing durability and strength. Its surface is made of Indonesian teak wood

slats, adding a touch of natural elegance.

This table perfectly combines high quality materials with an aesthetic design.

Weight: 14 Kg



Tulum. Mesa Café  
Tulum. Coffee Table  
ref. 65074

## Finishes

---

### finishes

---

#### ALUMINIUM

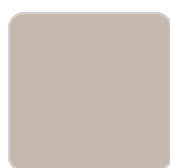
Ref. 65074E



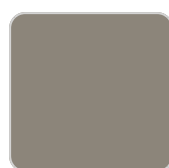
white



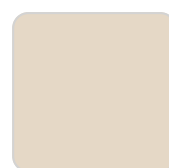
smoked



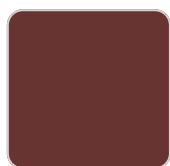
ecru



tortora



cream



garnet



brown



green



blue



gray



anthracite



black

### tabletops

---

#### Teak

Ref. 65074TBL



natural teak



weathered teak

## Ambients

---

