

Manta cantilever

by Eugeni Quitllet

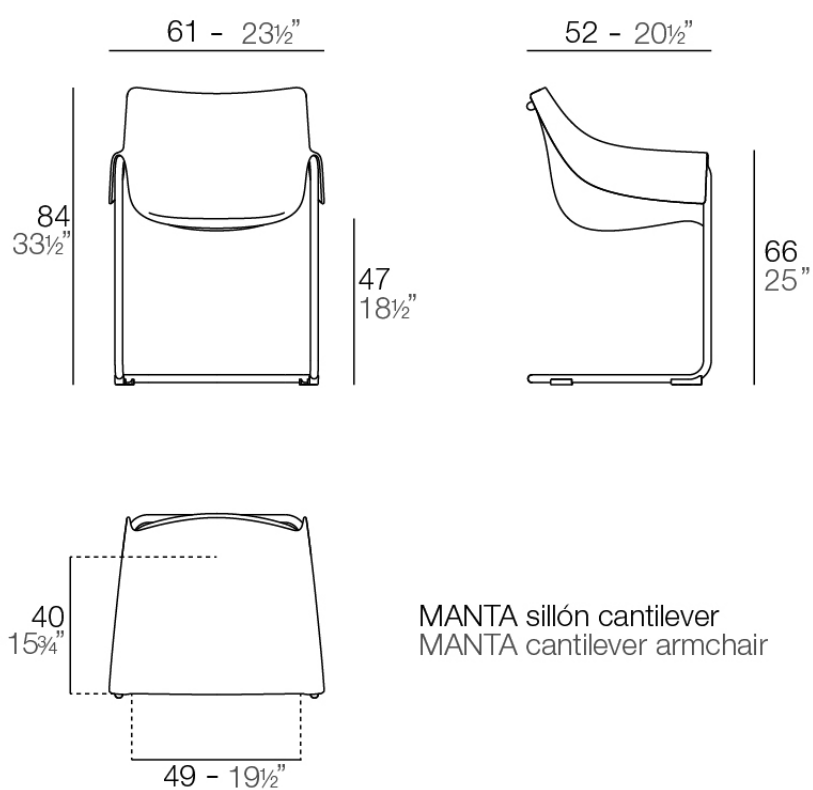
New outdoor and indoor chair collection. The versatile Manta chair adapts perfectly to any space, whether in a home, office, or public setting. This is all possible thanks to an interchangeable design made up of seats and bases to create countless combinations.



Info

Description

Weight: 5.6 Kg



MANTA sillón cantilever
MANTA cantilever armchair

Finishes

finishes

BASIC PP
Ref. 65047



white



ecru



black

Available in various colors

legs

LEGS
Ref. 65047E



white 201



black 2002

Ambients

